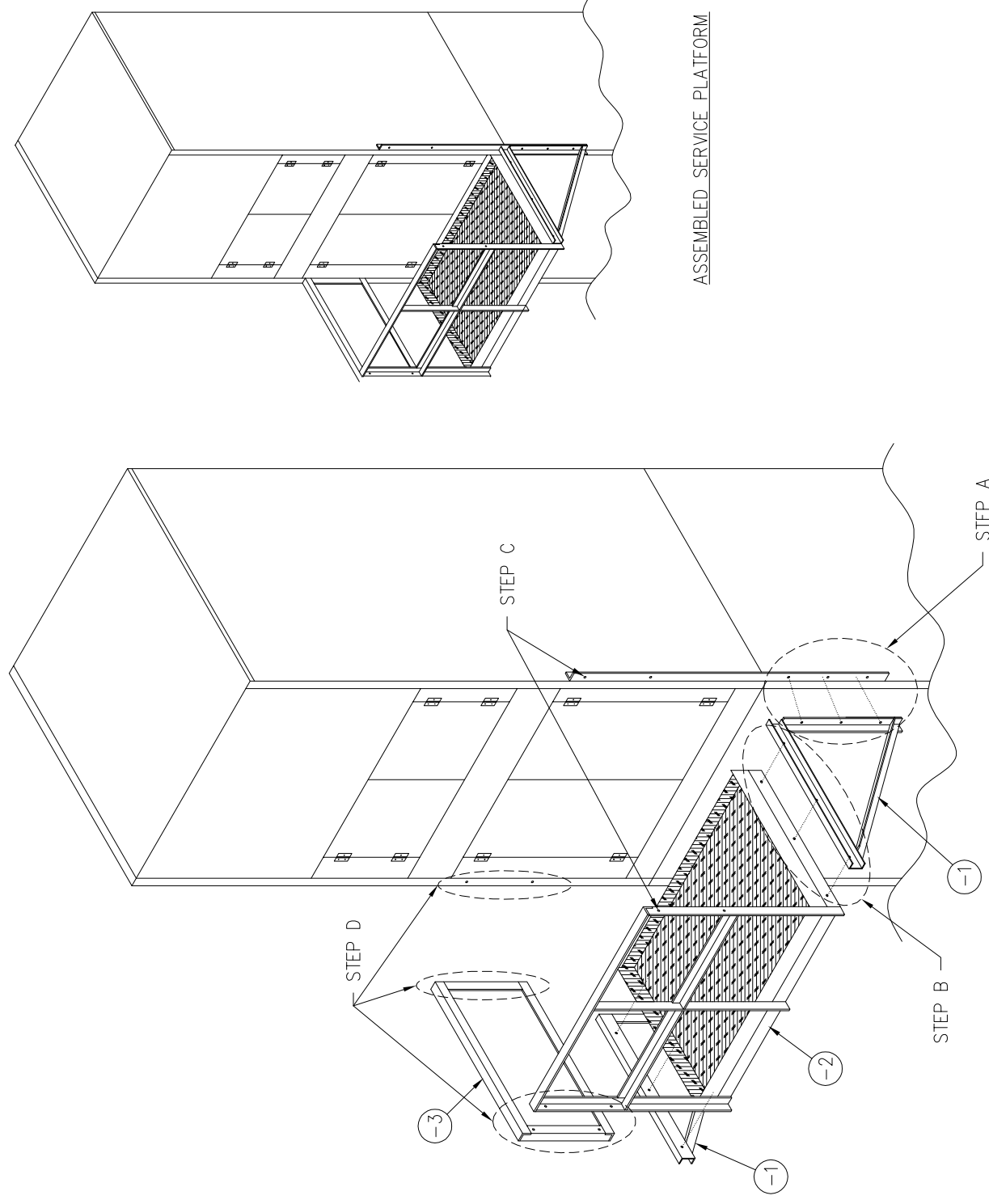


Typical Installation of an R-Series Service Platform

Angle Frame Mount



Step A: Bolt the angle frames, item -1 (qty 2), to the structural angle of the unit. Use (6) of the provided bolts, (3) bolts on each side of the unit. See STEP A above.

Step B: Bolt the service platform, item -2, to the angle frames, item -1. Use (6) of the provided bolts, (3) bolts on each side of the unit. See STEP B above.

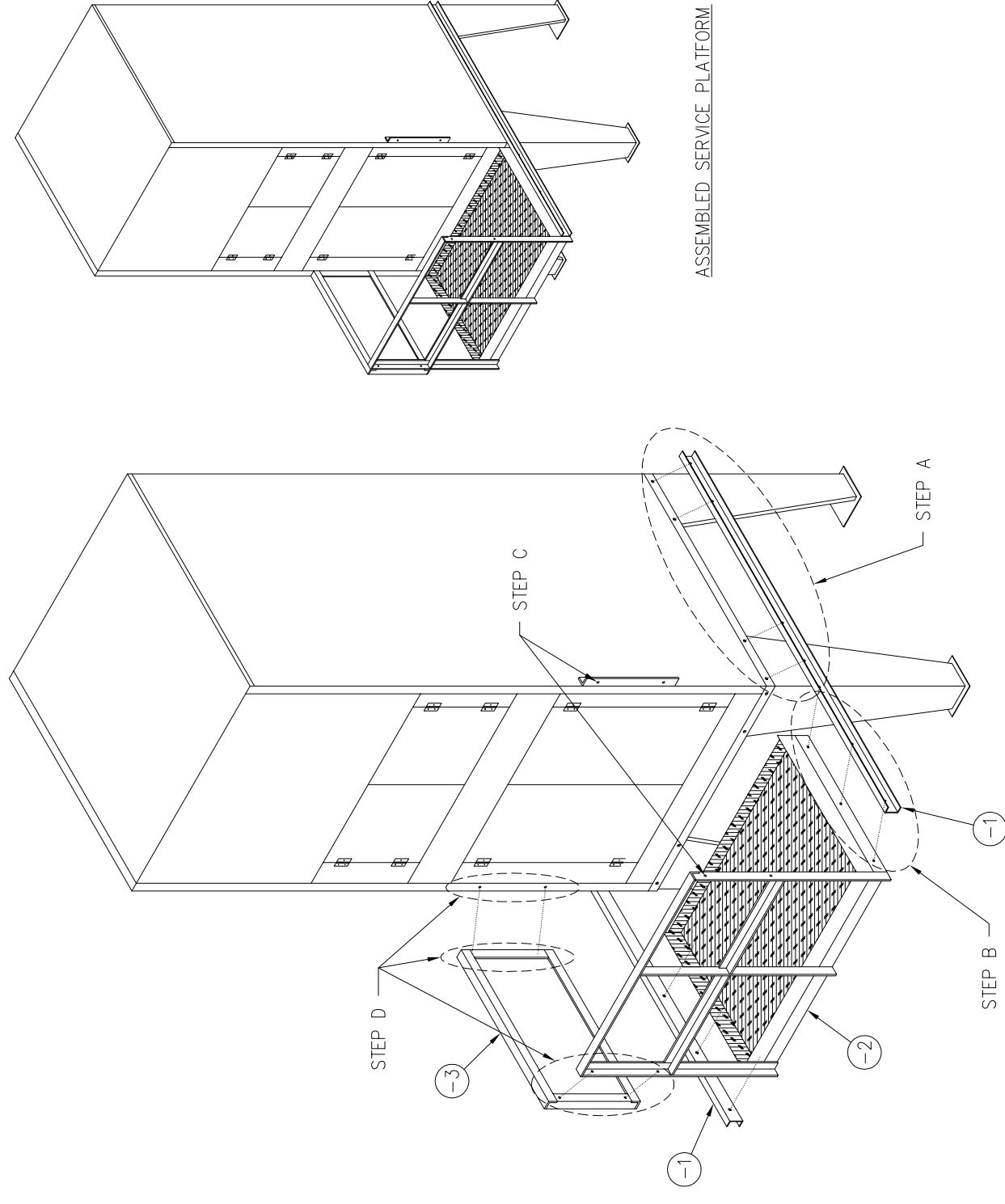
Step C: Attach the safety chain to the service platform. Install the (2) provided eye bolts to the top-most holes on the structural angle of the unit. See STEP C above for hole location. The eye bolts and safety chain are not illustrated above.

Note: The safety chain can be installed on either side of the service platform. Install chain on the same side that the service ladder will be attached.

Step D: Bolt the safety rail, item -3, to the service platform, item -2 and to the structural angle of the unit. Use (4) of the provided bolts, (2) bolts on each side of the safety rail. See STEP D above.

Typical Installation of an R-Series Service Platform

3" Channel Mount



Step A: Bolt the 3" structural channel, item -1 (qty 2), to the structural angle of the unit. If service platform mounts in a location lower than the structural angle of unit, there will be holes drilled in the legs (legs shown above) or angle frame (not shown above), mount the 3" channel using those holes instead.

Use (8) of the provided bolts, (4) bolts on each side of the unit. See STEP A above.

Step C: Attach the safety chain to the service platform. Install the (2) provided eye bolts to the top-most holes on the structural angle of the unit. See STEP C above for hole location. The eye bolts and safety chain are not illustrated above.

Note: The safety chain can be installed on either side of the service platform. Install chain on the same side that the service ladder will be attached.

Step D: Bolt the safety rail, item -3, to the service platform, item -2 and to the structural angle of the unit. Use (4) of the provided bolts, (2) bolts on each side of the safety rail. See STEP D above.