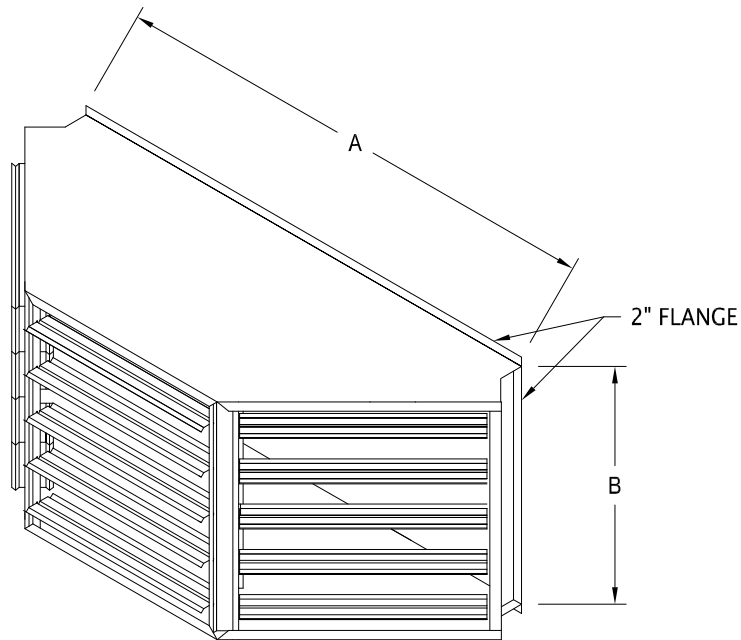


PLAN VIEW



ISOMETRIC VIEW

NOTE: A & B ARE INSIDE DUCT DIMENSIONS

FAN SIZE	18 & 20	27	30 & 36	40	44 & 49	54	60	66	73	80	89
A	32-1/4"	44-1/4"	54-1/4"	62-1/4"	72-1/4"	80-1/4"	86-1/4"	95-1/4"	106-1/4"	116-1/4"	123-1/4"
B	17-1/4"	24-1/4"	30-1/4"	35-1/4"	40-1/4"	46-1/4"	48-1/4"	55-1/4"	55-1/4"	62-1/4"	70-1/4"
C	24-1/2"	28-1/8"	31"	33-3/8"	36-1/4"	38-5/8"	40-3/8"	43"	46-1/4"	49-1/8"	51-1/4"
D	46-1/2"	58-1/2"	68-1/2"	76-1/2"	86-1/2"	94-1/2"	100-1/2"	110-1/2"	120-1/2"	130-1/2"	137-1/2"
WEIGHT	80 LBS.	100 LBS.	160 LBS.	225 LBS.	265 LBS.	300 LBS.	330 LBS.	385 LBS.	410 LBS.	500 LBS.	590 LBS.

**R300 & R400 SERIES
180° SD DISCHARGE DIFFUSERS**

ABSOLUTAIRE, INC.

5496 N. RIVERVIEW DR.
KALAMAZOO, MICHIGAN 49004
PH.: (269) 382-1875 FAX: (269) 382-5291

DATE: rev. 10-20-22

BY: A. BUDNICK

DRAWING NO.:

1019-SD