

Product Description

The L02-01-0105 is a Wall Mounted thermistor temperature sensor. The 10K Ohm Type III thermistor will provide a pre-dictable output over a specified temperature range to meet the required input value. The L02-01-0105 is mounted in an attractive Beige colored plastic enclosure.

Thermistors offer high accuracy and interchangeability over a wide operating temperature range.

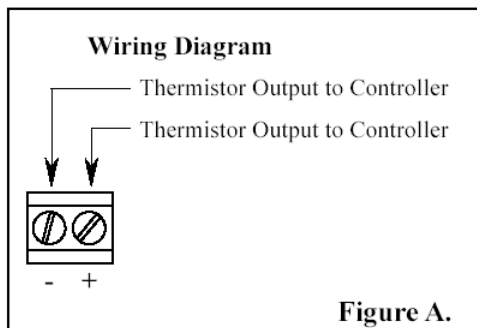
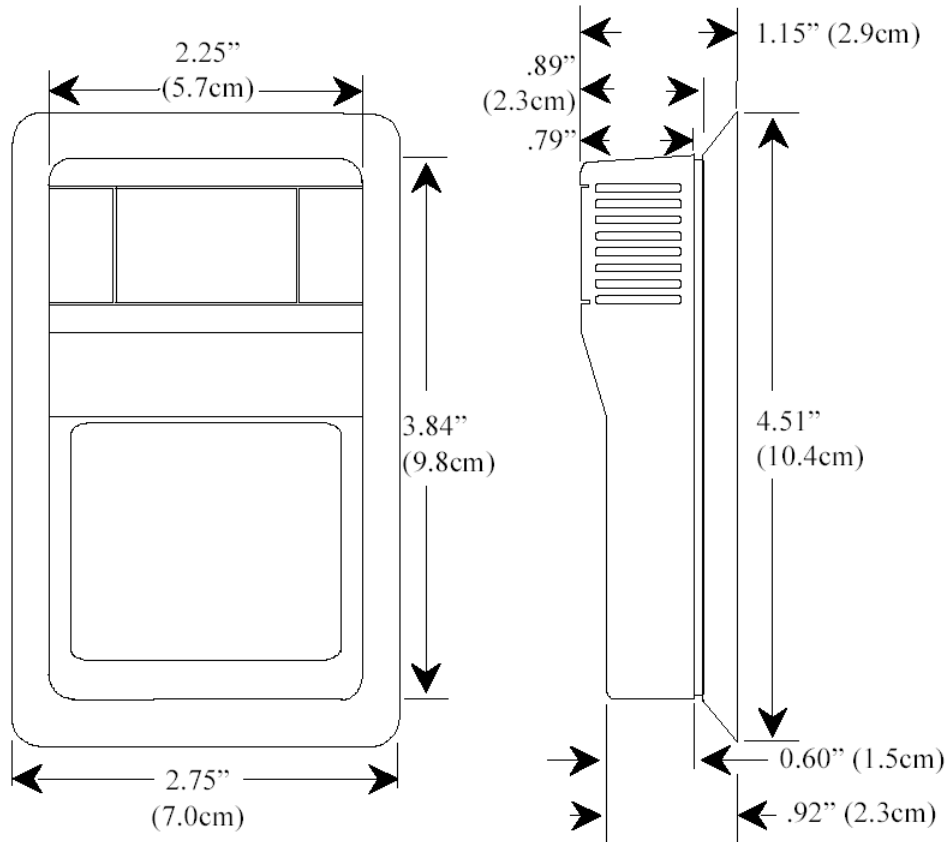
The thermistors higher resistance relative to Platinum RTD's, creates a larger signal with the same measuring current, ne-gating most lead wire resistance problems and eliminating the need for signal conditioners.

Technical Data

Sensor Output	• 10K Ohms @ 77oF(25oC) Type III
Temperature Range	• -40 to 302oF (-40 to 150oC)
Interchangeability	• +/- 0.2oC (0 to 70oC)
Sensor Accuracy	• +/- 0.2oC (0 to 70oC)
Sensor Stability	• +/- 0.13oC
Enclosure Material	• ABS Plastic; Beige Color
Dissipation Constant	• 3 mW / oC
Operating Humidity	• 0 to 90% RH non-condensing



Device Detail



Ordering Information

Model #	Description
L02-01-0105	Wall Mounted 10K Ohm (Type III) Temperature Sensor