

### Product Description

The L02-01-0106 is a Wall Mounted thermistor temperature sensor. The 10K Ohm Type III thermistor will provide a pre-dictable output over a specified temperature range to meet the required input value. The L02-01-0106 is mounted in an attractive Beige colored plastic enclosure.

Thermistors offer high accuracy and interchangeability over a wide operating temperature range.

This unit is offered as a room temperature sensor with Set Point configuration. The setpoint is a linear 10K slide potenti-ometer that is Direct Acting, with a 55 to 85 indication sticker.

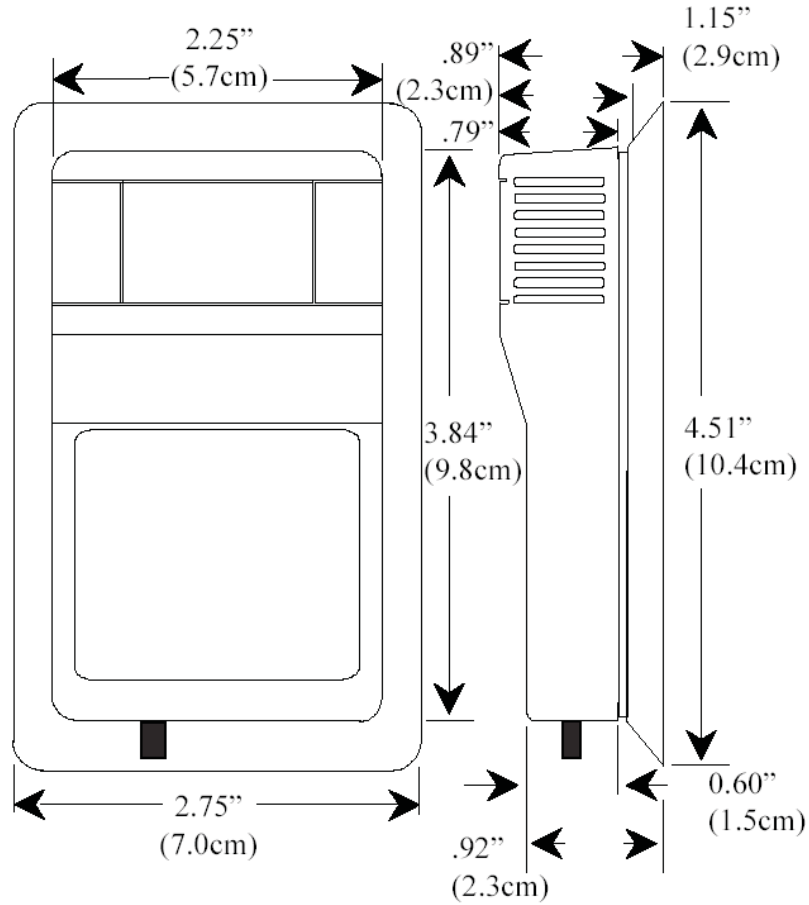
The thermistors higher resistance relative to Platinum RTD's, creates a larger signal with the same measuring current, ne-gating most lead wire resistance problems and eliminating the need for signal conditioners.



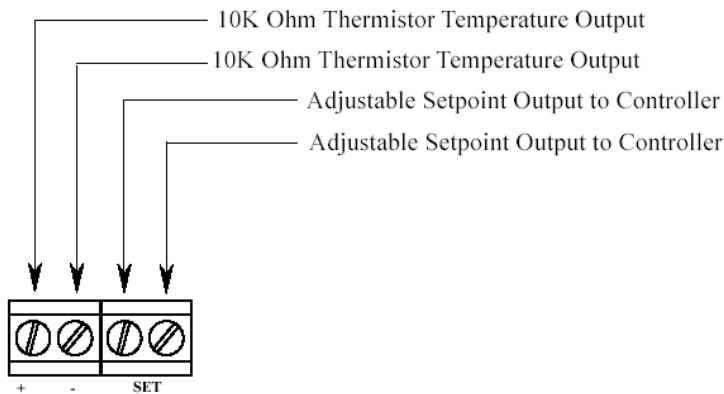
### Technical Data

<b>Sensor Output</b>	• 10K Ohms @ 77oF(25oC) Type III
<b>Temperature Range</b>	• -40 to 302oF (-40 to 150oC)
<b>Interchangeability</b>	• +/- 0.2oC (0 to 70oC)
<b>Sensor Accuracy</b>	• +/- 0.2oC (0 to 70oC)
<b>Sensor Stability</b>	• +/- 0.13oC
<b>Dissipation Constant</b>	• 3 mW / oC
<b>Operating Humidity</b>	• 0 to 90% RH non-condensing
<b>Setpoint Indication</b>	• 55 to 85
<b>Setpoint Pot Action</b>	• Direct Acting
<b>Setpoint Range</b>	• 0 to 10K Ohms +/- 10%

### Device Detail



### Wiring Diagram



### Ordering Information

Model #	Description
L02-01-0106	Wall Mounted Temperature Sensor with Setpoint (10K Ohm, Type III)