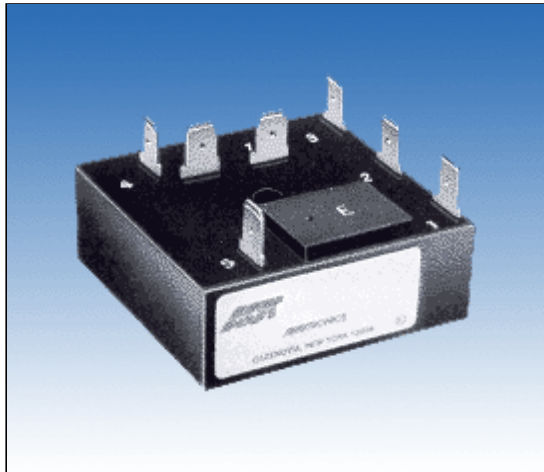




## Cube Relay

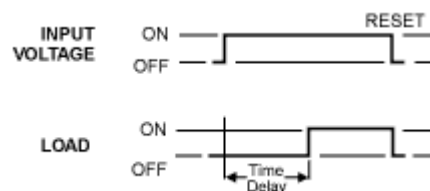


### TGC Timers

TGC series Cube Relay Delay on Make timers are a unique combination of digital CMOS timing circuitry with a relay output in a compact 2" x 2" configuration. For users of solid-state timers, these units provide the same functional performance as plug-in relay timers, but at significant cost savings.

### Timing Mode

Application of input voltage to the timer starts the time delay. At the end of the delay period, the load is energized. To reset, remove the input voltage to the timer.

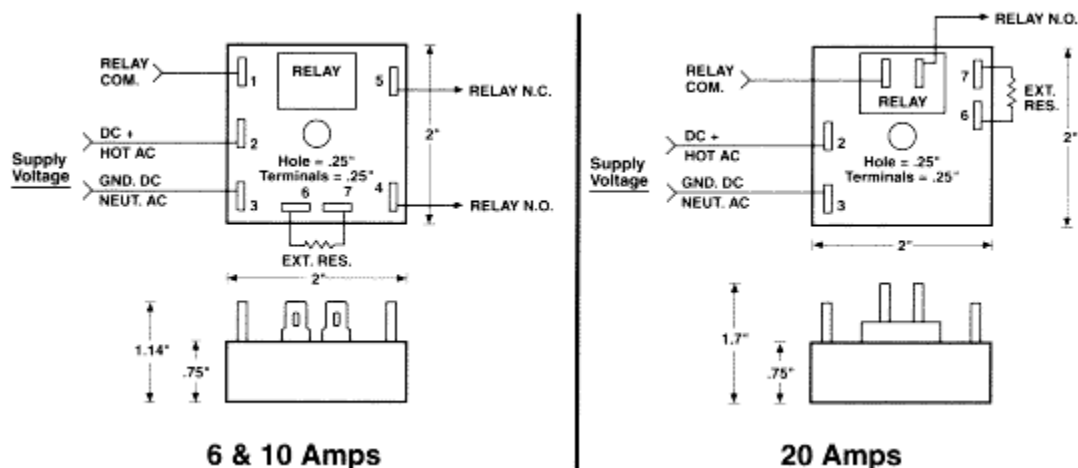


### FEATURES

- ⌘ High current carrying capacity up to 20 amps
- ⌘ Transient protected
- ⌘ 100% Load isolation
- ⌘ No leakage in N.O. position
- ⌘ No heat sinking required
- ⌘ Available in any time delay period required
- ⌘ Digital CMOS timing
- ⌘ No minimum load required
- ⌘ Totally encapsulated for protection from harsh environments
- ⌘ 100% Operational testing before shipping



### BASIC WIRING AND DIMENSIONS



**SPECIFICATIONS**

**Input Voltage:**

- ⌘ VDC: 12, 24 or 48
- ⌘ VAC: 24, 48, 120 or 230, 50/60 Hz

**Time Delay:**

- ⌘ Timing Mode: Delay On Make
- ⌘ Type: Digital CMOS
- ⌘ Time Range: 0.2 seconds to 24 hours
- ⌘ Time Adjustments: Factory-fixed time period; variable, with adjustments on timer, or terminals for external resistor or potentiometer

**Repeatability: ±0.5%**

**Setting Accuracy:**

- ⌘ Fixed time period: 10% of nominal time.
- ⌘ Variable time range: +15% -5% max. time, -10% min. time

**Reset/Recycle Time: 25 milliseconds**

**Initiate Time: 6 milliseconds or less**

**Relay Output:**

- Form:
- ⌘ Standard – SPST N.O.
  - ⌘ Optional – SPST N.C., SPDT

**Relay Life Expectancy:**

- ⌘ Mechanical: 20 million operations
- ⌘ Electrical: 100,000 operations
- ⌘ Contact Material: Silver nickel, gold plated, or silver cadmium oxide

**Protection:**

- ⌘ Polarity Protection: All DC units have reverse polarity protection
- ⌘ Transient Protection: 18 joules
- ⌘ Dielectric Strength: 1800V RMS 60 Hz

**Temperature Ranges:**

- ⌘ Storage: -25° C to +85° C
- ⌘ Operating: -40° C to +85° C

**Physical Data:**

- ⌘ Mounting: Surface with one #8 screw
- ⌘ Connection & Termination: 0.25" quick connects

SELECTION PROCEDURE						
Mode of Operation	Series	Input Voltage	Time Ranges	Time Adjustment	Relay Output Form	Options
		1. 120 VAC 2. 230 VAC 3. 24 VAC	<b>VARIABLE TIME PERIODS</b> 0001 0.5 to 1 sec.	A. Variable, integral, knob on	1. SPDT 2. SPDT (N.O.)	H Heavy duty, 10 amps (6

<b>Delay On Make</b>	<b>TGC</b>	4. 24-28 VDC	<b>0010</b> .1 to 10 sec. <b>0100</b> 1 to 100 sec.	B. Variable, external knob remote. C. Fixed, internal, factory set D. Fixed, external, resistor remote.	3. SPST (N.C.)	amps relay standard)  J 20 amps
		5. 48 VAC 6. 48 VDC 7. 12 VDC 8. Any in between AC voltage (specify) 9. Any in between DC voltage (specify>	<b>1000</b> 10 to 1000 sec. Any range up to 24 hours available.			
		<b>FIXED TIME PERIODS</b>				
		Specify time in full seconds or hours followed by the letter "S" or "H" and the decimal amount of the main time unit. <b>Examples:</b> 5S5 is 5.5 secs 5H5 is 5.5 hours				



**Airotronics**  
2747 Route 20 East  
Cazenovia, New York 13035  
Tel: 315-655-8476 Fax: 315-655-3862

....