



L02-04-0101 – Duct Pressure Transmitter

Product Description

The L02-04-0101 is a low differential pressure transmitter that is capable of sensing duct pressures from 0 to 2.5" WC up to 0 to 5" WC. Each pressure transmitter utilizes a high quality ceramic capacitive pressure sensor to provide long term stability and performance. Variable capacitance sensors have a good signal to noise ratio and are not plagued by temperature drift.

The L02-04-0101 will provide a three wire, 0 to 10 VDC output signal with an overall accuracy of +/- 1% of the full scale over the compensated temperature range. The transmitter may be powered by a regulated, +19-36 VDC or 24 VAC supply, and is polarity sensitive. In addition to the span of 0 to 5" WC, each transmitter is capable of being field adjusted to three additional spans, by resetting the internal jumpers. A slight zero offset may be needed. This feature provides greater flexibility in the field. The L02-04-0101 may be used with any of the pitot tubes listed for the measurement of static or differential pressure.



Features and Application Highlights

The L02-04-0101 pressure transmitters may be used in many different applications including:

- Static Pressure Control
- Leak Detection
- Monitoring Filter Blockage
- Pneumatic Controls
- Variable Air Volume Systems (VAVs)

Technical Data

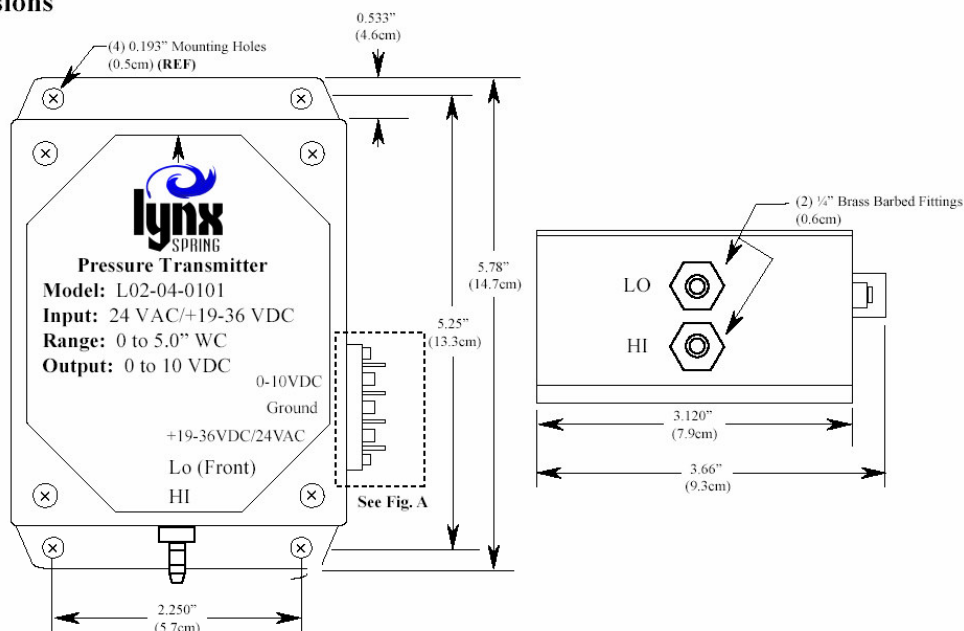
- | | |
|--------------------------------------|--|
| Supply Voltage | • +19 to 36 VDC / 24 VAC +/- 10% |
| Transmitter Output | • 0-10 VDC |
| Pressure Range | • 0 to 5" WC |
| Adjustable Ranges | • 0 to 2.5" WC, 0 to 3" WC, 0 to 4" WC |
| Response Time | • 15 msec - 63% full scale step |
| Position Effect | • 2% Null shift from vertical to horizontal |
| Pressure Overload | |
| Positive Pressure | • 25.0" WC |
| Negative Pressure | • 15.0" WC |
| Transmitter Accuracy | • +/- 1% of span |
| Mounting Direction | • Must be mounted with the Brass Fittings Pointed downward |
| Operating Temperature Range | • -10 to 60oC (14 to 140oF) |
| Compensated Temperature Range | • 10 to 40oC (50 to 104oF) |
| Linearity | • +/- 0.5% of span |
| Pressure Fittings | • 1/4" barbed fitting (Brass) |
| Temperature Error | |
| Zero | • +/- 1.5% FSO |
| Span | • +/- 1.5% FSO |
| Screw Terminals | • Accepts 18-22 AWG Wire |
| Optional Accessories | • See back of product Data sheet |



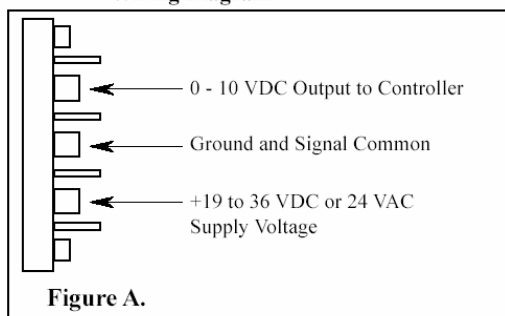
L02-04-0101 – Duct Pressure Transmitter

Device Detail

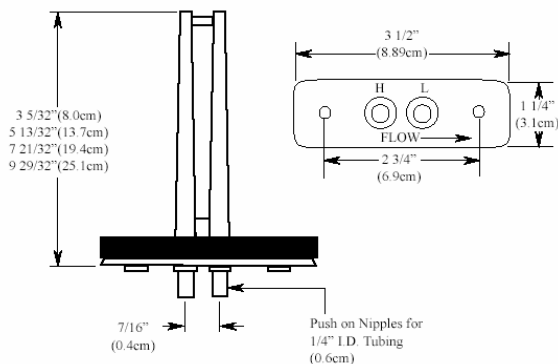
Dimensions



Wiring Diagram



Pitot Tube



Ordering Information

Model #	Description
L02-04-0101	0-5" Pressure Transmitter without Pitot Tube

Accessory Items	Description
PT 3 5/32"	Pitot Tube with 1 sensing point
PT 5 13/32"	Pitot Tube with 2 sensing points
PT 7 21/32"	Pitot Tube with 3 sensing points
PT 9 29/32"	Pitot Tube with 4 sensing points