



System-6® Side Tap Ball Valve



LP GAS



FIRE PROTECTION



C US
125 G...1/2" - 2"

ISO EN 9001:2000



T-100/STN

Description

System 6® Side tap, 1/4 turn, lever operated, hot forged brass ball valve. 100% full port. Blow-out proof two-piece design. Made in Italy. 100% tested.

Features

- Pressure rating: 600 WOG / 150 WSP
- Double Viton® O-rings
- Replaces non-code saddle valves
- Forged brass body
- 100% full port
- 1/4" side tap
- Hard C.P. brass ball
- NPT connections

Approvals

- UL Listed VQGU, MHKZ, YQNZ, YRBX, YRPV, YSDT, UL 842
- FM approval
- CSA Certified

Accessories

- "Lift-N-Lock" locking device
- 2" Handle extension
- Lever and Round 304 stainless steel handles
- "Slo-Ball" Handle (for metering under high pressures)
- Red Painted Aluminum "T" Handle
- Pneumatic & Electric Actuation Available upon request

Warranty

The Company, for a period of one year from the date of shipment, warrants each product or system of its own manufacture to the original purchaser to be free from defects in material and workmanship under normal use, service and maintenance.

Architect/Engineer approval

Job Name _____ Date _____
Model Specified _____ Quantity _____
Variations Specified _____
Customer/Wholesaler _____
Contractor _____
Architect _____

Note: Information subject to change without notice.



Jomar International Ltd.
7243 Miller Drive
Warren, MI 48092
Phone: 800-325-5690
Fax: 800-628-4194
www.jomar.com

System-6® Side Tap Ball Valve



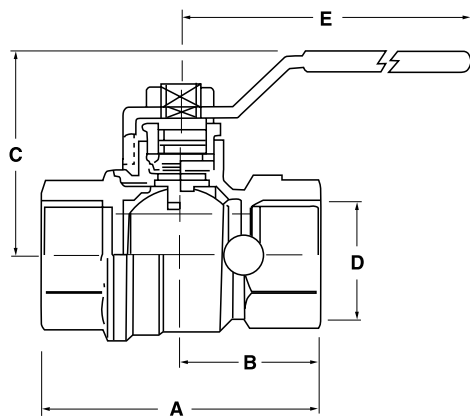
Description

System 6® Side tap, 1/4 turn, lever operated, hot forged brass ball valve. 100% full port. Blow-out proof two-piece design. Made in Italy. 100% tested.

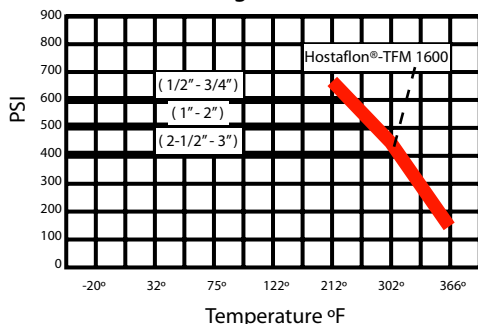
Dimensions in Inches

Computer No.	Valve Size	A	B	C	D	E	CV†
170-102	3/8"	2.02	1.10	1.41	0.39	2.95	11.84
170-103	1/2"	2.48	1.26	1.53	0.59	2.95	20.25
170-104	3/4"	2.76	1.41	1.88	0.79	3.74	41.83
170-105	1"	2.84	1.69	2.36	1.00	4.72	78.38
170-106	1-1/4"	4.03	2.14	2.59	1.26	4.72	132.10
170-107	1-1/2"	4.72	2.34	3.22	1.57	5.90	206.96
170-108	2"	5.23	2.73	3.50	2.00	5.90	346.00

† The CV Factor is the gallons of water per minute passed through the valve with a 1 PSI pressure drop.



Valve Seat Rating

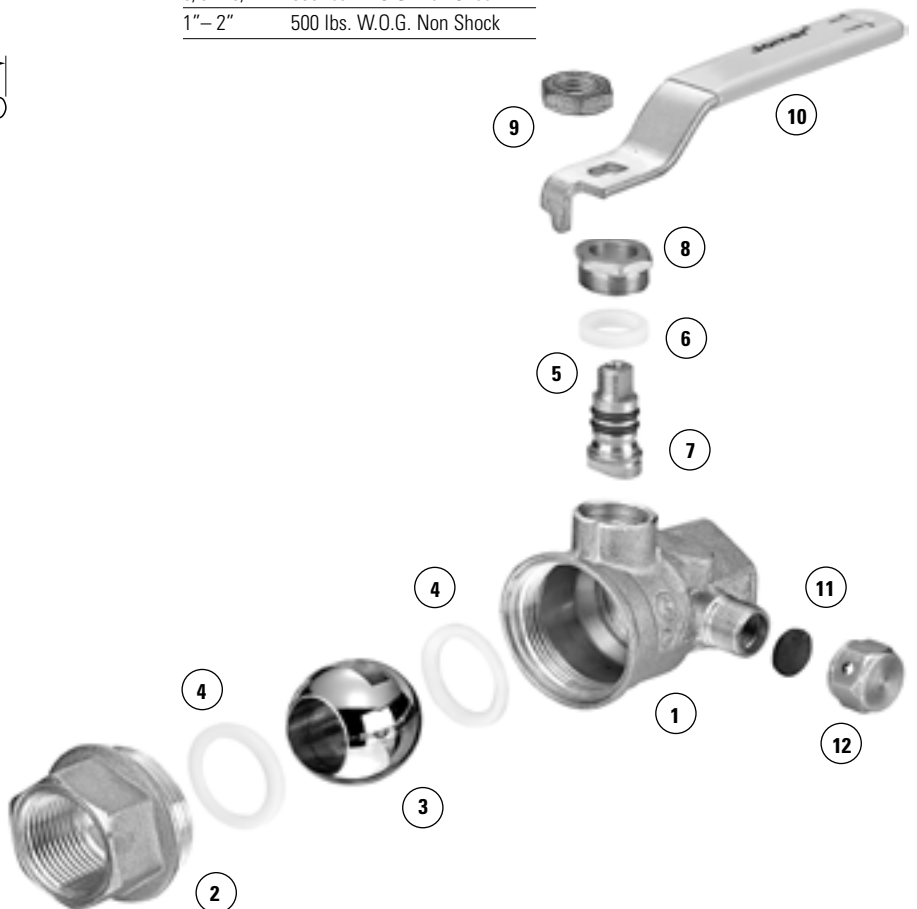


Material Specification

No.	Part Name	Materials
1	Body	Hot Forged Brass
2	End Adapter	Hot Forged Brass
3	Ball	Hard C.P. Brass
4	Seat	Hostafion®-TFM 1600
5	Stem	Extruded Brass
6	Stem Packing	Hostafion®-TFM 1600
7	O-Rings (2)	Viton®
8	Follower Gland	Extruded Brass
9	Handle Nut	Dacromet Coated Steel
10	Lever Handle	Dacromet Coated Steel
11	Flat Washer	BUNA-N
12	Cap	Extruded Brass

Pressure Rating

3/8"–3/4"	600 lbs. W.O.G. Non Shock
1"–2"	500 lbs. W.O.G. Non Shock



Note: Information subject to change without notice.