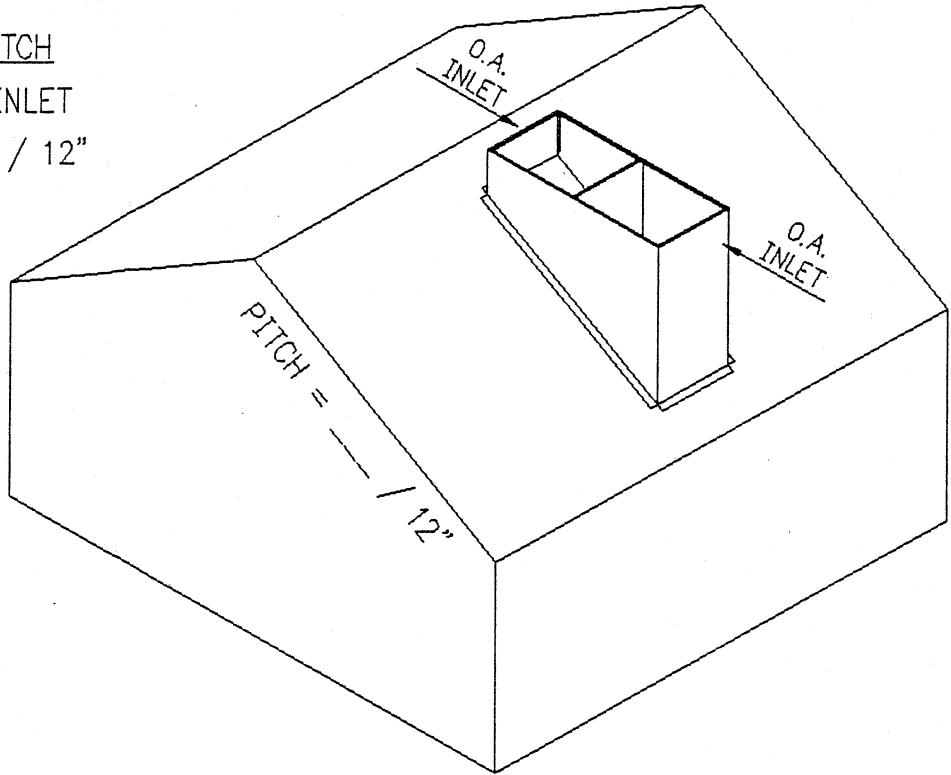


# PITCHED ROOF CURB DATA SHEET

## LONG-SIDE PITCH

- \* CIRCLE O.A. INLET
- \* PITCH = \_\_\_ / 12"



## SHORT-SIDE PITCH

- \* CIRCLE O.A. INLET
- \* PITCH = \_\_\_ / 12"

