

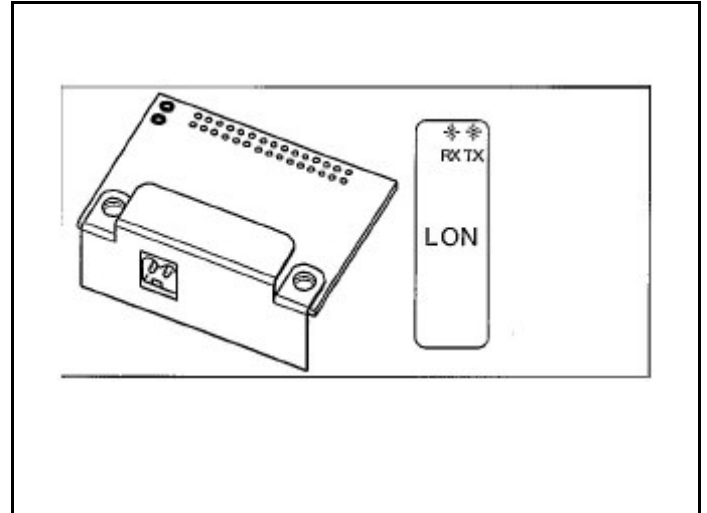
Product Description

The L01-01-0901 LON Communication Module (JCOM-LON1) is an optional communication module that features an FTT-10A Lon (LonWorks) adaptor with a 2-position removable screw-terminal connector plug.

The JCOM-LON1 can be installed in either Option Slot 1 or 2.

Two LEDs are visible on the top of the LON Card option card (cover must be removed from JENE-PC1000). These LEDs are included on the top label of the LON Card.

- RX (green) – Receive, indicates that another LonWorks device is transmitting a message.
- TX (yellow) – Transmit, indicates that the JENE-PC1000 is transmitting a message on the LON Trunk.



Technical Data

Communications

- LonWorks FTT-10, 78k baud

Wiring

- Connect the LonWorks FTT-10 communications wiring to the 2 position connector of the LON Card. Note that polarity is not a factor in FTT-10 wiring.

Ordering Information

Model #	Description
L01-01-0901	JENEsys™ - Communication Module – Optional LON Communication Module