



High Limit Control

Model HLC/Hi Limit

Antunes Controls newly designed model HLC (High Limit Control), is a state-of-the-art electronic high limit controller with a manual reset. This compact easy to install device can be mounted to any suitable flat surface. The HLC offers a bolt down sensor, which is available in various lengths. The HLC has passed the stringent UL 353/991 agency approvals.

Features:

- ◆ High Limit with Manual Reset
- ◆ Electronic Control for Reliability
- ◆ UL-353/991 Approvals
- ◆ Available with Various Sensor Lengths
- ◆ Mountable On Any Flat Surface
- ◆ Replaceable Sensor
- ◆ Fault Indication LED



TEMPERATURE CONTROLLERS • TEMPERATURE DISPLAYS • AIR PRESSURE SWITCHES • GAS SWITCHES
CUSTOM ELECTRONIC CONTROLS • SUBSYSTEMS ENGINEERING AND MANUFACTURING • TIMERS



Model HLC

Dimensional Drawing

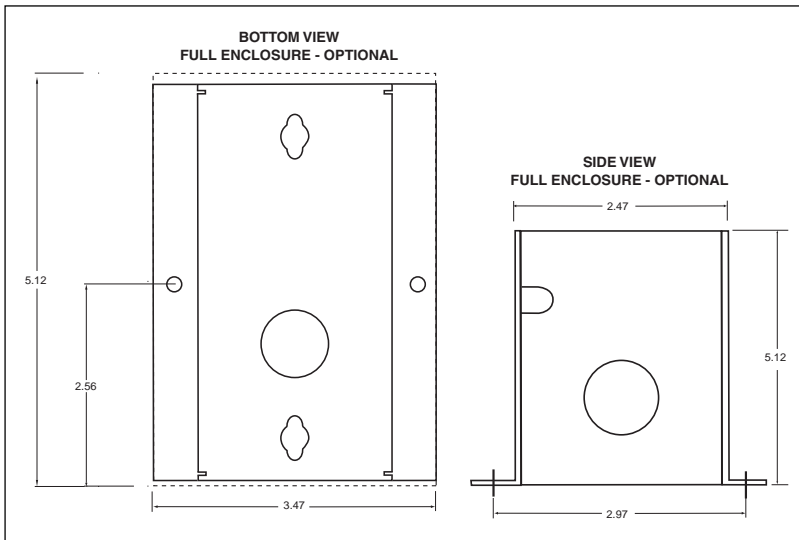


Figure 1- Mounting Template

Specifications

Sensor Type: 100K Thermistor (Dual) - Length (15 ft.)
Other lengths available upon request.

Accuracy: +/-3°F of Set Point

Power Input: 24 Vac, 120 Vac

Control Operation: High Limit - Opens on Temperature Rise

Output Ratings: High Limit - 8 Amp SPST Relay
(Resistive Load)

Adjustable Temperature Range: High Limit: 180° to +300°F
100° to +220°F

Ambient Operating Temperature: -30° to 140°F (-35° to +60°C)

Connections: 1/4" Quick Connects,

Package: Aluminum "C" Bracket
Full Enclosure w/conduit knockout (optional)

Fault Indication: When the LED is "ON" the unit is latched and in a safe condition (relay open). It can only be reset when the fault condition is cleared.

Fault Conditions: Over temperature (compared to setpoint).
Open or shorted sensor.
Any on-board component failure.

Limitation of Liability

It is understood and agreed that seller's liability whether in contract, in tort, under warranty, in negligence or otherwise shall not exceed the return of the amount of the purchase paid by the purchaser and under no circumstances shall seller be liable for special, indirect or consequential damages. The price stated for the equipment is

consideration in limiting seller's ability. No action, regardless of form, arising out of the transactions may be brought by purchaser more than one year after the cause of action has occurred.

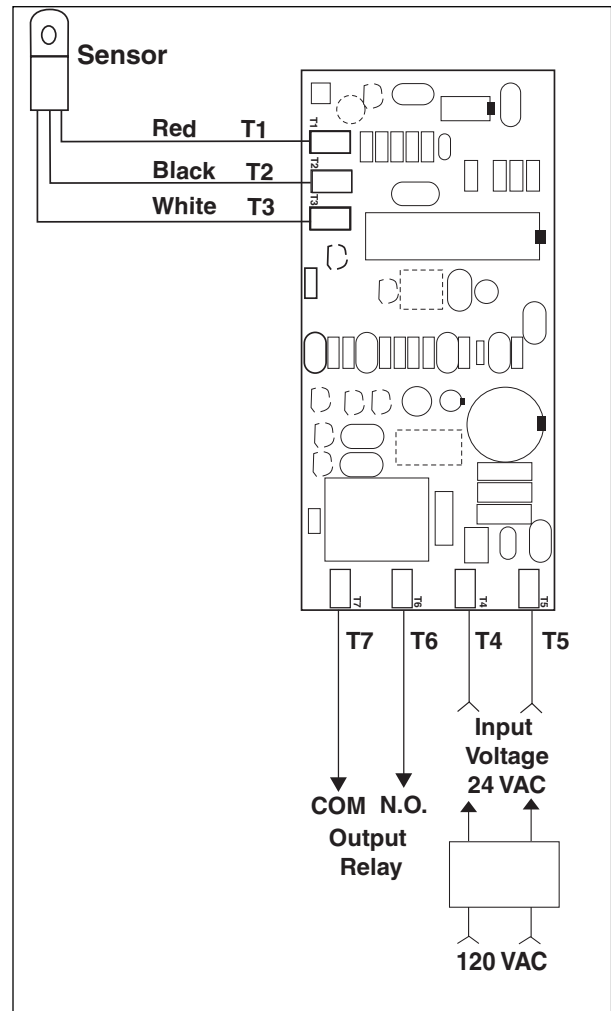


Figure 2- Wiring Diagram

Connections:

Thermistor Input - T1, T2 & T3 (100K ohm @25°C)

Power Input - T4 & T5 (24-120 VAC)

High Limit Relay - T6 (N.O.), T7(COM)



180 Kehoe Blvd. P.O. Box 87700, Carol Stream, IL. 60188
Phone: 630-784-1000 • 1-800-253-2991 • Fax 630-784-1651
www.ajantunes.com