

## Model-G



**Manual Reset**



**Automatic Reset**

### *Gas Pressure Switches*

#### *Specifications*

Antunes Controls Gas Pressure Switches monitor gas pressure. The models are available in high pressure and low pressure single gas switches. Pressure range varies from .5" of water column to 4 psi.

Each switch is adjustable within its range, as shown on the range scale located on top of the unit. The latch button in the reset models, and the optional neon light indicate whether the switch is on or off.

These units do not require venting to atmosphere.

#### **WARNING**

Read these instructions carefully before attempting to install, operate or service this switch.

Failure to observe safety information and comply with instructions could result in personal injury, death and/or property damage.

To avoid electrical shock or damage to equipment, disconnect power before installing or servicing.

To avoid potential fire and/or explosion, do not use in potentially flammable or explosive atmosphere.

Retain these instructions for future reference. You must review your application and national and local codes to ensure that your installation will be functional and safe.



### Electrical Ratings

10A @ 125 VAC  
10A @ 250 VAC  
1/3 HP, 125 & 250 VAC

### Pressure Ratings

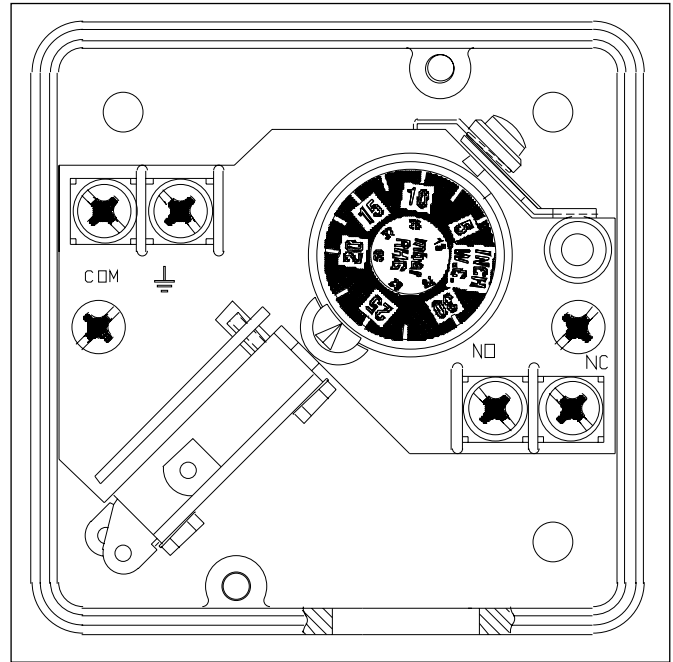
**Adjustable Operating Pressure**  
.5W.C. to 4 psi (different ranges)

**Surge Pressure**  
15 psi (1 Bar)

**Maximum Operating Pressure**  
6 psi (400 mbar)

**Ambient Operating Pressure**  
-40°F to 140°F (-40°C to 60°C)

**Field wiring to be rated @ 60°C for maximum 140°F ambient**



### LOW PRESSURE

When pressure decreases below setpoint  
NO opens, NC closes

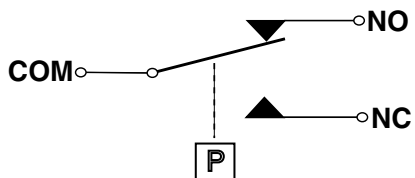


Diagram Shows Pressure Being Applied To Switch

### HIGH PRESSURE

When pressure increases above setpoint  
NO closes, NC opens

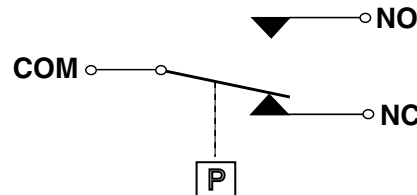
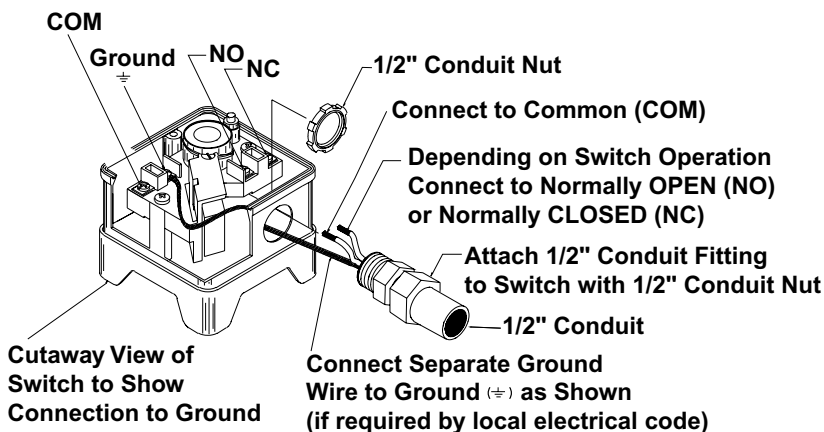
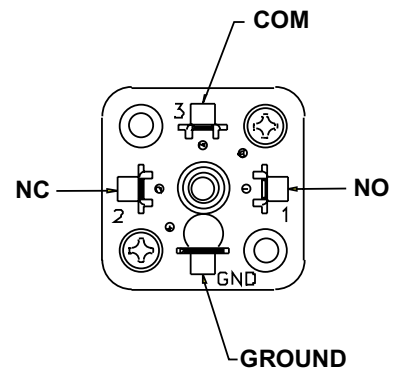


Diagram Shows Pressure Being Applied To Switch

### CONDUIT CONNECTIONS



### DIN CONNECTOR WIRING



## Mounting

All switches can be mounted in either horizontal or vertical position. Switches should be reasonably level but do not required accurate leveling.

Single gas switch models have a 1/4" N.P.T. (female) gas inlet on the standard base.

Piping can be either standard black pipe or aluminum tubing.

## Operation

### Low Gas Pressure Models

Low gas pressure switches break the electrical circuit on pressure drop at the point when gas pressure becomes lower than the indicated set pressure.

Before the manual reset button (Figure 6) can be properly latched, gas pressure in the chamber must be higher than the indicated setting. The position of the yellow ring, on the reset button, shows whether the reset button is on or off. If the yellow ring on the button is below the cover, the unit is on (not latched). If the yellow ring is above the cover, the unit is off (latched). The yellow ring must be below the cover after latching to be properly set.

All switches can be supported by the inlet pipe, but optional mounting brackets and bases are available (see Figures 1 thru 5 below).

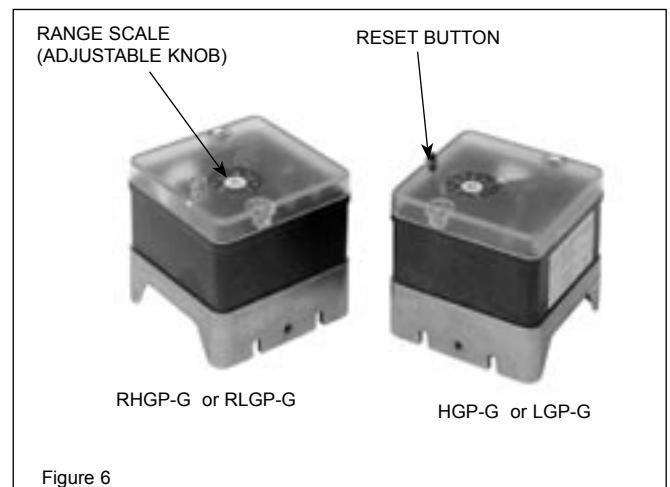
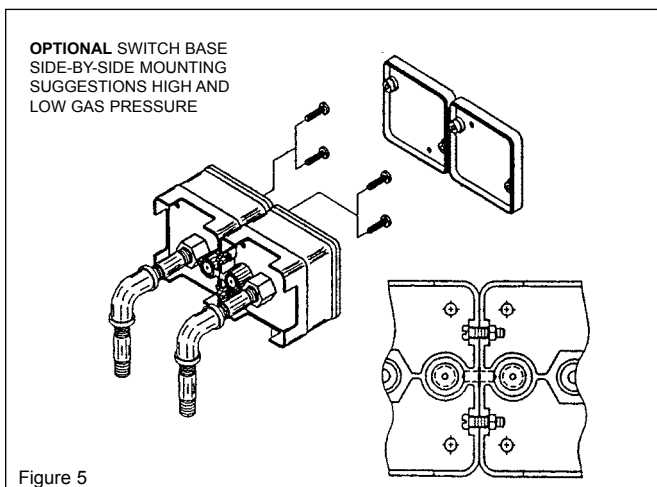
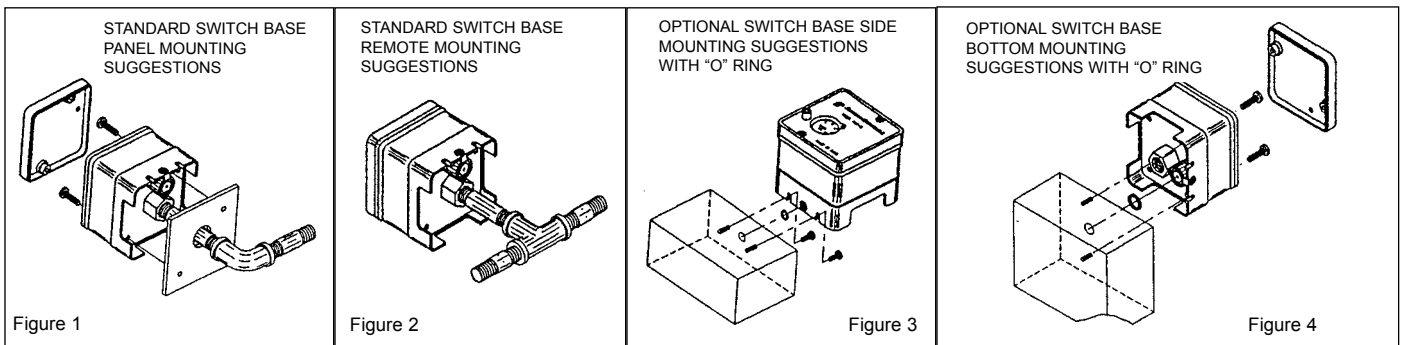
Switches have been factory calibrated and tested for leaks. However, it is recommended that switch, gas pipe inlets and connections be soap bubble tested for leaks after installation.

### High Gas Pressure Models

High gas pressure switches break the electrical circuit when pressure rises above the indicated preset pressure. The yellow ring will be below the cover, indicating that the switch is on, when the gas pressure in the switch chamber is below the indicated high setting. When the yellow ring on the reset button is above the cover, it indicates the switch is in the off position, and gas pressure is above the indicated setting.

### Range Adjustment - All Models

To adjust gas pressure cut-off setting, remove the cover. Turn the range scale adjustable knob (Figure 6) clockwise to increase pressure setting, counterclockwise to decrease pressure setting. Install cover and tighten the two cover screws to prevent tampering.



## Specifications

### Models

|              |                          |                |
|--------------|--------------------------|----------------|
| <b>Reset</b> |                          | <b>Recycle</b> |
| LGP-G        | Single Unit, Lo-Pressure | RLGP-G         |
| HGP-G        | Single Unit, Hi-Pressure | RHGP-G         |

These part numbers are for standard 1/4" N.P.T. gas inlet and 1/2" electrical knockout

**NOTE:** For optional NEMA 4 Kit, 4-Pin DIN Connector, Neon Lamp Indicator, or Side Mounting, contact **Antunes Controls** for specific part numbers.

### Optional (Contact Antunes Controls)

NEMA 4 (IP-65) Kit available,

Part No. 808000404

4-Pin DIN Connector

Neon Lamp Indicator

Side Mounting

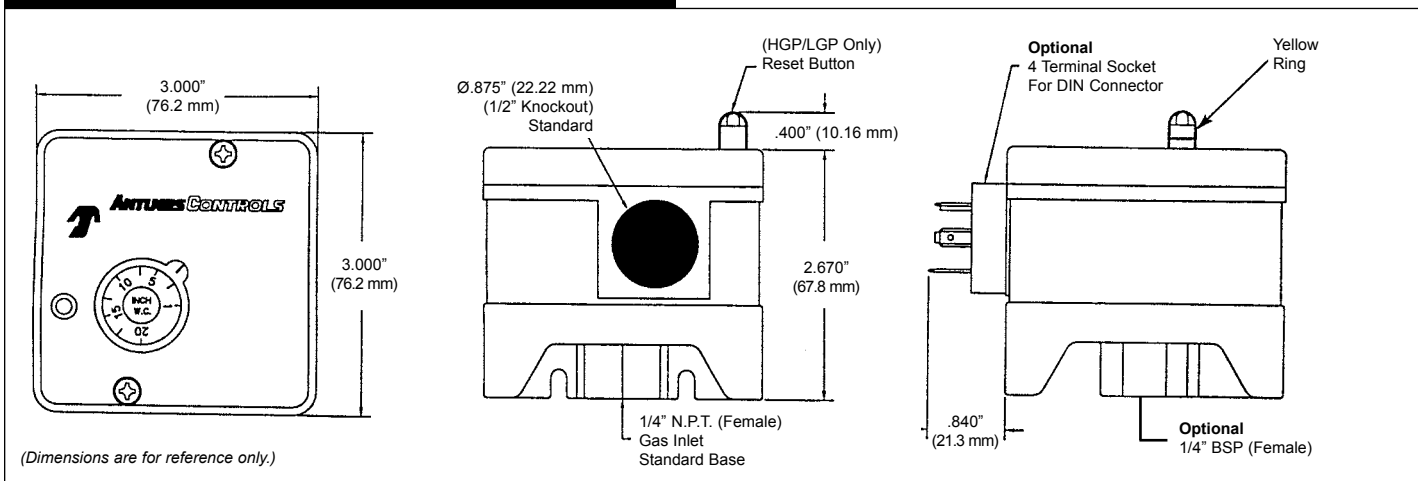
### LOW RANGES AVAILABLE

| LGP-G      | No.        | W.C.     | mbar       | RLGP-G     | Part No.   | W.C.     | mbar |
|------------|------------|----------|------------|------------|------------|----------|------|
|            | 8103116101 | .5" - 4" | 1-10       |            | 8104116102 | .5" - 4" | 1-10 |
| 8103116202 | 1" - 20"   | 3-50     | 8104116203 | 1" - 20"   | 3-50       |          |      |
| 8103116303 | 5" - 30"   | 13-75    | 8104116304 | 5" - 30"   | 13-75      |          |      |
| 8103116407 | 7" - 55"   | 17-136   |            | <b>PSI</b> | <b>Bar</b> |          |      |
|            |            |          | 8104118005 | 1-4        | .07-.28    |          |      |

### HIGH RANGES AVAILABLE

| HGP-G      | Part No.   | W.C.     | mbar       | RHGP-G     | Part No.   | W.C.     | mbar |
|------------|------------|----------|------------|------------|------------|----------|------|
|            | 8101111202 | 2" - 20" | 5-50       |            | 8102111102 | .8" - 4" | 3-10 |
| 8101111303 | 8" - 35"   | 18-87    | 8102111203 | 2" - 20"   | 5-50       |          |      |
| 8101111407 | 10" - 60"  | 25-150   | 8102111304 | 5" - 35"   | 13-87      |          |      |
|            |            |          |            | <b>PSI</b> | <b>Bar</b> |          |      |
|            |            |          | 8102113005 | 1-4        | .07-.28    |          |      |

### Dimensions



### Limitation of Liability

It is understood and agreed that seller's liability whether in contract, in tort, under any warranty, in negligence or otherwise shall not exceed the return of the amount of the purchase price paid by purchaser and under no circumstances shall seller be liable for special, indirect or consequential damages.

The price stated for the equipment is a consideration in limiting seller's liability. No action, regardless of form, arising out of the transactions may be brought by purchaser more than one year after the cause of action has accrued.

