



MASON INDUSTRIES, Inc.

Manufacturers of Vibration Control Products

NY Mailing Address: PO Box 410, Smithtown, NY 11787

350 Rabro Drive 2101 W. Crescent Ave., Suite D
 Hauppauge, NY 11788 Anaheim, CA 92801
 516/348-0282 714/535-2727
 FAX 516/348-0279 FAX 714/535-5738
 Info@Mason-Ind.com Info@MasonAnaheim.com

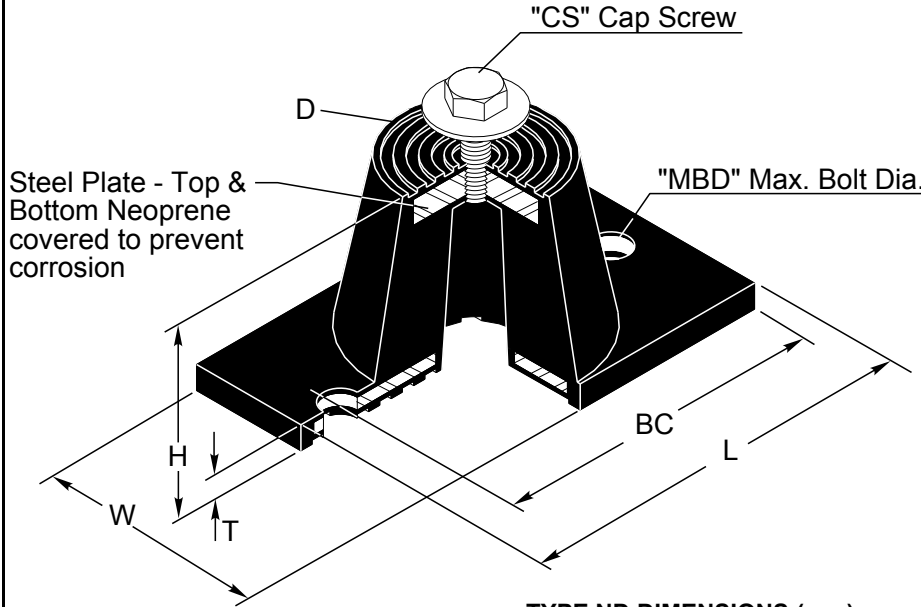
CERTIFIED FOR

JOB NAME :
 CUSTOMER :
 CUSTOMER P.O. :
 MASON M.I. :
 DWG. NO. :

TYPE

ND

Double Deflection
 Neoprene
 Mounting



TYPE ND RATINGS

Size (Color Mark)	Duro-meter	Rated Capacity Range [Kg]	Max. Rated Defl. [mm]
ND-A-Black	30	7 - 21	9
ND-A-Green	40	14 - 34	
ND-A-Red	50	27 - 57	
ND-B-Black	30	23 - 45	10
ND-B-Green	40	34 - 68	
ND-B-Red	50	50 - 107	
ND-B-White	60	82 - 173	13
ND-B-Yellow	70	136 - 273	
ND-C-Green	40	64 - 118	
ND-C-Red	50	91 - 182	13
ND-C-White	60	141 - 273	
ND-C-Yellow	70	236 - 455	
ND-D-Yellow	70	482 - 955	13
ND-DS-Yellow	70	977 - 1955	13
ND-E-Yellow	70	1000 - 1955	13

Mounts have straight line deflection curves.

TYPE ND DIMENSIONS (mm)

Size	D	H	L	T	W	BC	CS(inches)	MBD
ND-A	30	38	81	5	41	61	5/16 - 18 x 3/4	8
ND-B	45	48	99	6	59	77	3/8 - 16 x 1"	8
ND-C	65	70	140	6	84	105	1/2 - 13 x 1"	13
ND-D	86	70	159	8	102	128	1/2 - 13 x 1"	13
ND-DS	86	70	172	8	112	140	1/2 - 13 x 1"	13
ND-E	115	70	188	6	131	156	1/2 - 13 x 1"	13

CERTIFICATION DATA

TAG : _____
 UNIT : _____

PLAN VIEW OF MOUNT LOCATION:



inch SPECIFIED DEFLECTION

1 :	6 :
2 :	7 :
3 :	8 :
4 :	9 :
5 :	10 :

Material for One Set : _____ Sets Required

DWN : _____ CHKD: _____ DATE : _____

DWG NO. : _____