



# MASON INDUSTRIES, Inc.

Manufacturers of Vibration Control Products

350 Rabro Drive      2101 W. Crescent Ave., Suite D  
Hauppauge, NY 11788      Anaheim, CA 92801  
631/348-0282      714/535-2727  
FAX 631/348-0279      FAX 714/535-5738  
Info@Mason-Ind.com      Info@MasonAnaheim.com

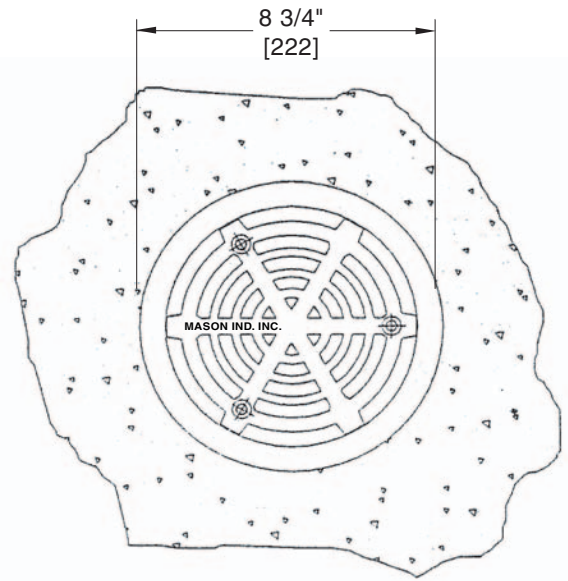
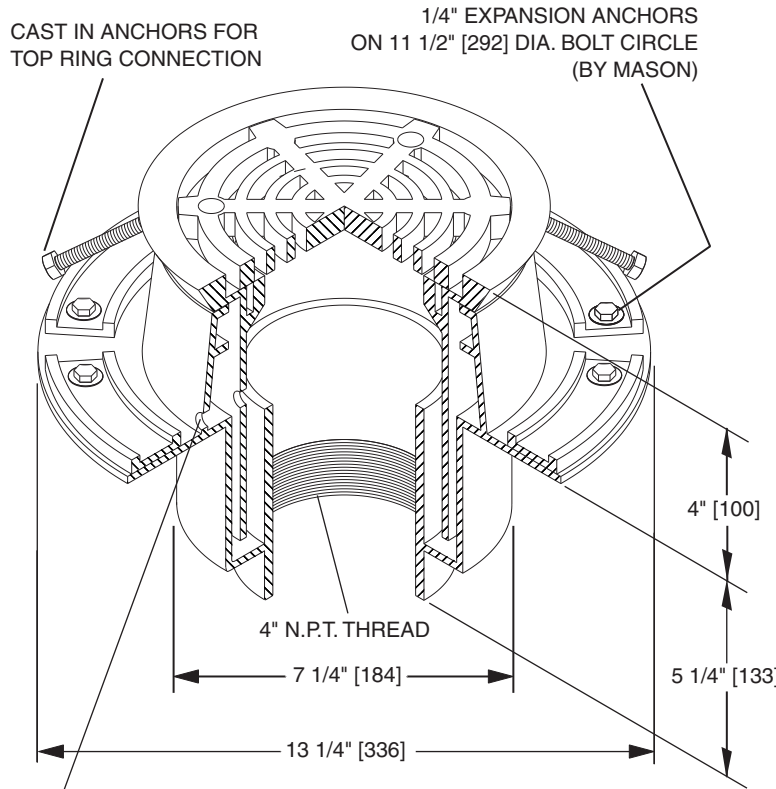
CERTIFIED FOR

JOB NAME :  
CUSTOMER :  
CUSTOMER P.O. :  
MASON M.I. :  
DWG. NO. :

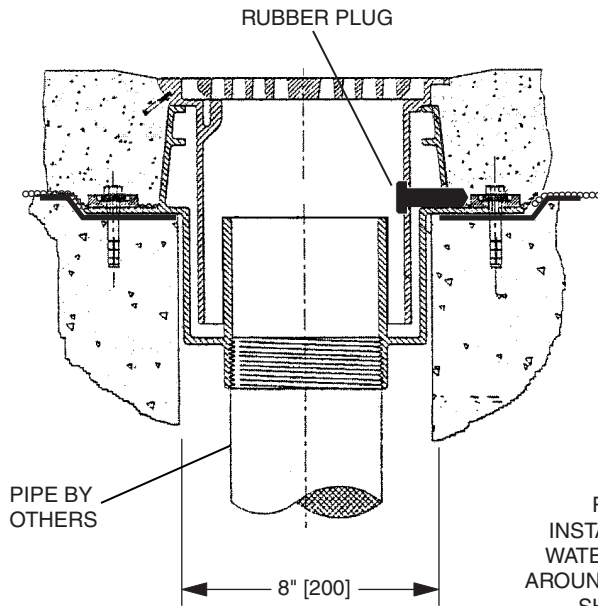
TYPE

# CFD

Cast Floor Drain  
For Concrete  
Floating Floors

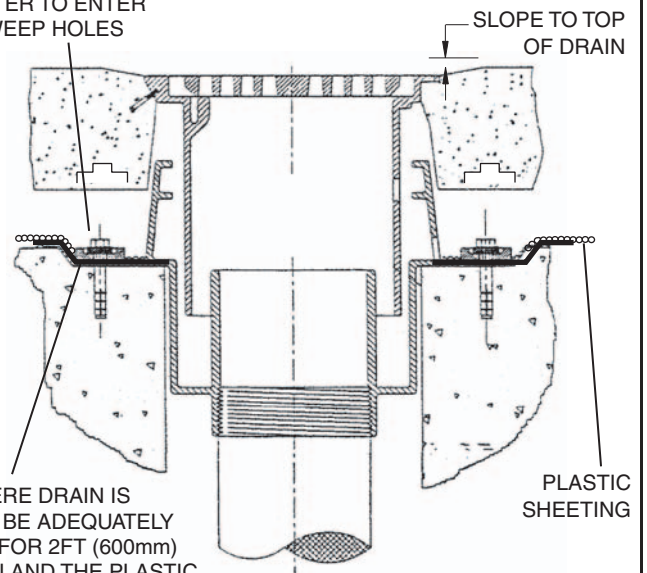


WEEP HOLE RUBBER PLUGS MUST BE REMOVED BEFORE RAISING FLOOR (RUBBER PLUG SHOWN ON VIEW BELOW)



**INSTALLED DRAIN BEFORE RAISING**

5/8\" [16] RECESS IN STRUCTURAL SLAB TO ALLOW WATER TO ENTER WEEP HOLES



RECESS WHERE DRAIN IS INSTALLED MUST BE ADEQUATELY WATERPROOFED FOR 2FT (600mm) AROUND THE DRAIN AND THE PLASTIC SHEETING (BOND BREAKER) MUST BE TAPED TO THE DRAIN BASE PLATE UNDER CLAMPING RING

**INSTALLED DRAIN AFTER RAISING**

|       |        |        |
|-------|--------|--------|
| DWN : | CHKD : | DATE : |
|-------|--------|--------|

FORM S-017-1

|           |
|-----------|
| DWG NO. : |
|-----------|

06/01