

Differential pressure switch

For monitoring overpressure, vacuum, and differential air pressure or other non-combustible, non-aggressive gases for both HVAC and energy management applications with setpoint adjustment and automatic reset.



5-year warranty


Type Overview

Type	Measuring range pressure [Pa]	Measuring range pressure [inch WC]	Repeating accuracy	Switching differential [pressure]	Burst pressure
01APS-50R	20...300	0.08...1.20	±5%, min. ±0.02 inch WC [5 Pa]	10 Pa	40 inch WC [10 kPa]
01APS-50U	50...500	0.20...2.00	±2.5%, min. ±0.02 inch WC [5 Pa]	20 Pa	40 inch WC [10 kPa]
01APS-501	200...1000	0.80...4.00	±1%, min. ±0.02 inch WC [5 Pa]	100 Pa	40 inch WC [10 kPa]
01APS-504	500...2500	2.00...10.00	±1%, min. ±0.02 inch WC [5 Pa]	150 Pa	40 inch WC [10 kPa]

Technical data

Electrical Data	Electrical connection	terminals for wire 0.5...1.5 mm ²
	Cable entry	Cable gland with strain relief Ø6...8 mm (1/2" NPT conduit adapter included)
Functional Data	Application	air
	Output signal pressure switch note	contact current max. 1.0 A (0.4) / AC 250 V
	Service life	min. 1'000'000 switching operations
Measuring Data	Measured values	Differential pressure
	Measuring fluid	air, non-combustible and non-aggressive gases
	Long-term stability	≤±15% deviation over 250'000 operations/cycles acc. EN1854
Materials	Housing	base: PA 6.6 Top Cover: PS
Safety Data	Ambient humidity	Max. 95% RH, non-condensing
	Ambient temperature	-5...140°F [-20...60°C]
	Fluid temperature	-5...140°F [-20...60°C]
	Storage temperature	-40...185°F [-40...85°C]
	EU Conformity	CE Marking
	Certification IEC/EN	IEC/EN 60730-1
	Certification UL	ETL listed, UL508, CSA C22.2 No.14
	Degree of protection IEC/EN	IP54
	Degree of protection NEMA/UL	NEMA 13
	Low voltage directive	CE according to 2014/35/EU
Quality Standard	ISO 9001	

Safety Notes



This device has been designed for use in stationary heating, ventilation and air-conditioning systems and must not be used outside the specified field of application. Unauthorized modifications are prohibited. The product must not be used in relation with any equipment that in case of a failure may threaten humans, animals or assets.

Ensure all power is disconnected before installing. Do not connect to live/operating equipment.

Only authorized specialists may carry out installation. All applicable legal or institutional installation regulations must be complied during installation.

The device contains electrical and electronic components and must not be disposed of as household refuse. All locally valid regulations and requirements must be observed.

Installation notes

Recommended installation positions The specifications for the switching pressure refer to a vertical installation position, which is also recommended with downward pressure connections. For horizontal installation position with upwards directed AMP connecting lugs, the switching point is approx. 20 Pa higher.

It is not permitted to mount the pressure switch upside down!

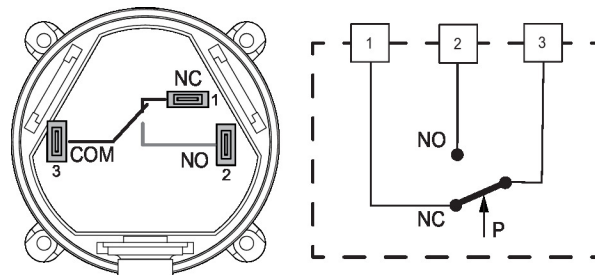
Scope of delivery

- PVC tube 2 m
- 2 x Pitot tubes (plastic)
- Screws
- 1/2" NPT conduit adapter

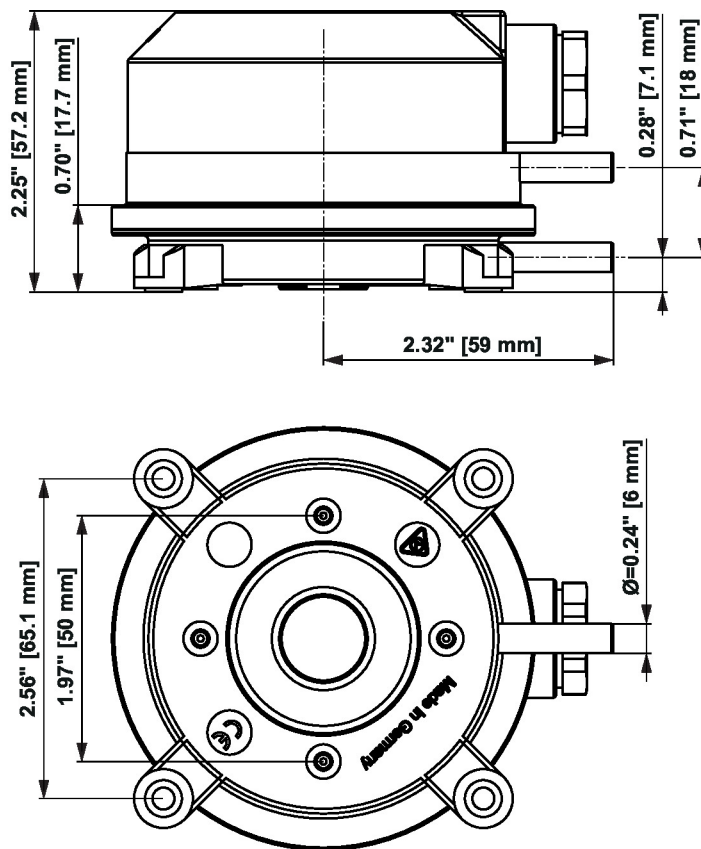
Accessories

Optional accessories	Description	Type
	Mounting bracket L form for 01APS-..., Metal	A-22AP-A06
	Mounting bracket S form for 01APS-..., Metal	A-22AP-A07
	Cable entry, M20x1.5, for 01APS-..., Multipack 10 pcs.	A-22AP-A11.1
	Duct connector kit for 01APS-..., Multipack 50 pcs.	A-22AP-A05.1

Wiring Diagram



Dimensions



Type	Weight
01APS-50R	0.26 lb [0.12 kg]
01APS-50U	0.26 lb [0.12 kg]
01APS-501	0.26 lb [0.12 kg]
01APS-504	0.26 lb [0.12 kg]