

Product Description

The Lynxspring JM16-080404 I/O module is an extremely diverse 16 point control module. With 8 Universal Inputs, 4 Analog Outputs, and 4 Digital Outputs JM16 is de-signed for small applications or as part of a larger control scheme. With the programming capabilities afforded by JENEsys™ and the freely programmable JENE-PC1000 controller no application is out of reach.

In conjunction with a JENE-PC1000 the JM16 I/O module is designed with diversity in mind. With all of the I/O capabilities afforded with the design the ability to perform complex control schemes is easily accomplished. For applications that require additional hardware points a single JM16 can be mounted with (3) additional JM16 I/O modules or in conjunction with (1) JM34 and (1) other JM16.



Features and Application Highlights

- 8 Universal Inputs: Capable of measuring type III 10K ohm Thermistors, resistive inputs, 0-10 Vdc, 4-20 mA, and Binary Inputs (contact closure or pulse counter).
- 4 Analog Outputs: Provide a 0-10 Vdc output to control devices such as Variable Frequency Drives and actuators.
- 4 Digital Outputs: Each relay output is rated to switch loads up to 5A, 250Vac, 30Vdc.

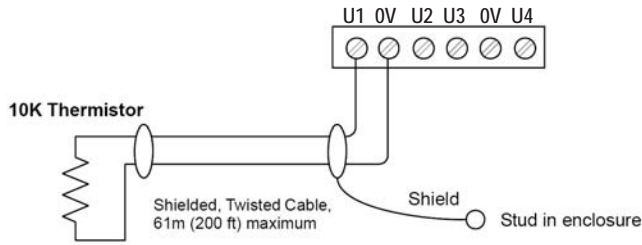
Technical Data

- | | |
|---------------------------|---------------------------------------------------------------------------------------------------------------------------------------------------------------------------------------------------------------------------------------------------------------------------------------------------|
| Power | <ul style="list-style-type: none"> • 24VAC @ 8.5VA |
| 8 Universal Inputs | <ul style="list-style-type: none"> • Type III 10K ohm Thermistors • Resistance 0-100 K ohms • 0-10 Vdc • 4-20 mA with the use of a 499 ohm resistor • Binary Inputs minimum dwell time > 500 ms (Pulse counter range 20 Hz, 50% duty cycle) |
| 4 Analog Outputs | <ul style="list-style-type: none"> • 0-10 Vdc Each • AO can supply at least 4mA over the entire 0-10 Vdc range. |
| 4 Digital Outputs | <ul style="list-style-type: none"> • Capable of switching loads up to 5A, 250Vac or 30Vdc |
| Environment | <ul style="list-style-type: none"> • Operating temperature range: 0°C to 50°C (32°F to 122°F). • Storage Temperature range: -20°C to 60°C (-4°F to 140°F). • Relative humidity range: 5% to 95%, non-condensing. |

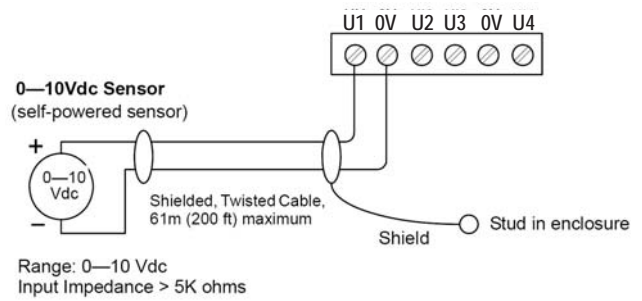
Ordering Information

Model #	Description
JM16-080404	JENEsys™ 16 Point I/O Module

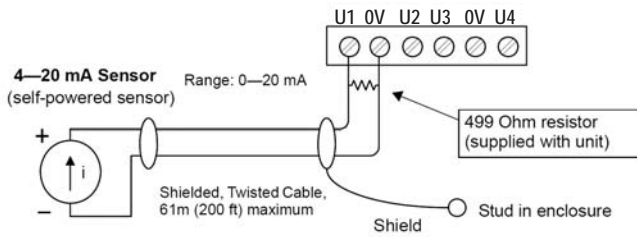
Thermistor Input Wiring



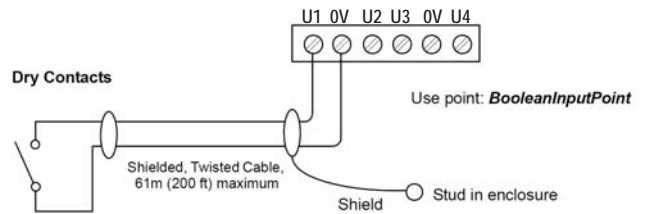
0-10 Vdc Input Wiring



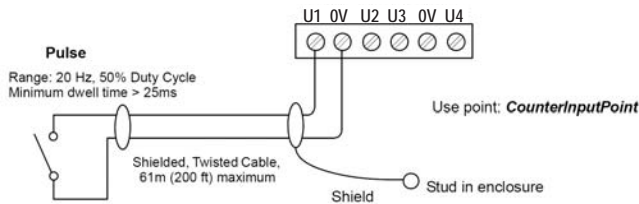
4-20 mA Input Wiring



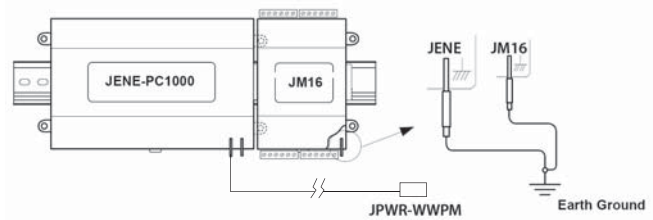
Binary Input Wiring – Dry Contact



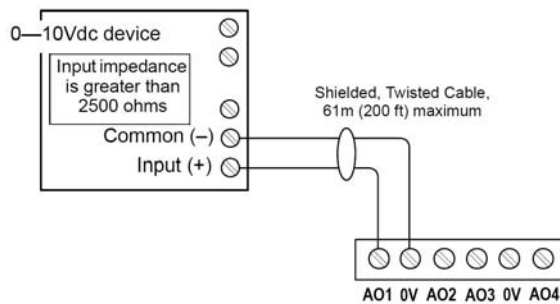
Binary Input Wiring – Pulse Counter



24Vac Power Wiring



0-10 Vdc Output Wiring



Digital Output Wiring

