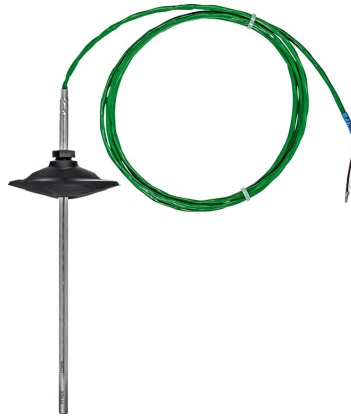


Cable Temperature Sensor with mounting flange

For temperature measurement in air ducts. With 100/200 mm stainless steel probe and PVC cable.



Type Overview

Type	Output signal	Probe length	Probe diameter
01CT-5BL	Pt1000	4" [100 mm]	0.24" [6 mm]
01CT-5BP	Pt1000	8" [200 mm]	0.24" [6 mm]
01CT-5LL	NTC10k2	4" [100 mm]	0.24" [6 mm]
01CT-5LP	NTC10k2	8" [200 mm]	0.24" [6 mm]
01CT-5ML	NTC10K3	4" [100 mm]	0.24" [6 mm]
01CT-5MP	NTC10K3	8" [200 mm]	0.24" [6 mm]
01CT-5QL	NTC20K	4" [100 mm]	0.24" [6 mm]
01CT-5QP	NTC20K	8" [200 mm]	0.24" [6 mm]

Technical Data

Electrical Data	Electrical connection	cable 6.5 ft. [2 m], 2-wire
	Cable specification	1 pair shielded plenum cable, 22AWG tinned copper, green jacket, -40°F to 300°F (-40°C to 150°C), 300 V
Functional Data	Output signal passive temperature	Pt1000 NTC10k2 NTC10k3 NTC20k
	Application	air
Measuring Data	Measuring values	temperature
	Measuring range temperature	-30...210°F [-35...100°C]
	Accuracy temperature passive	passive sensors depending on used type Pt.. = ±0.5°F @ 32°F [±0.3°C @ 0°C] NTC.. = ±0.35°F @ 77°F [±0.2°C @ 25°C]

Safety Data	Ambient humidity	max. 95% r.H., non-condensing
	Ambient temperature	-30...210°F [-35...100°C]
	Fluid temperature	-30...210°F [-35...100°C]
	Protection class IEC/EN	III safety extra-low voltage (selv)
	Protection class UL	UL Class 2 Supply
	EU Conformity	CE Marking
	Certification IEC/EN	IEC/EN 60730-1
	Certification UL	cULus acc. to UL60730-1A/-2-9, CAN/CSA E60730-1:02/-2-9
	Degree of protection IEC/EN	IP67
	Degree of protection NEMA/UL	NEMA 4X
	Quality Standard	ISO 9001

Safety Notes


This device has been designed for use in stationary heating, ventilation and air-conditioning systems and must not be used outside the specified field of application. Unauthorised modifications are prohibited. The product must not be used in relation with any equipment that in case of a failure may threaten humans, animals or assets.

Ensure all power is disconnected before installing. Do not connect to live/operating equipment.

Only authorised specialists may carry out installation. All applicable legal or institutional installation regulations must be complied during installation.

The device contains electrical and electronic components and must not be disposed of as household refuse. All locally valid regulations and requirements must be observed.

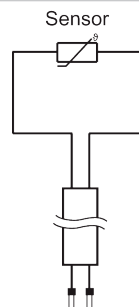
Remarks
General Remarks Concerning Sensors

Due to self-heating with 2 wire passive sensors, the supply wire current affects the measurement accuracy, so it should not exceed 1 mA.

When using lengthy connecting cables (depending on the cross section used), the cable resistance must be taken into account. The lower the impedance of the sensor used, the greater the effect of the line resistance on the measurement, because it generates an offset.

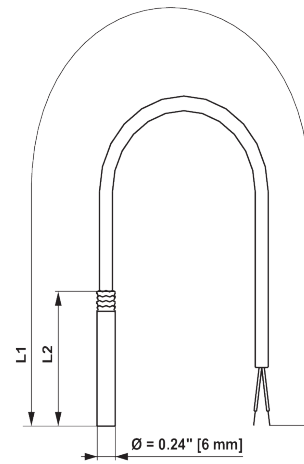
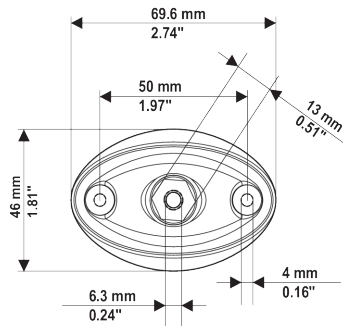
Scope of delivery

Scope of delivery	Description	Type
	Mounting flange for sensor probe 6 mm, up to max. 80°C, Plastic	A-22D-A03

Wiring Diagram


Dimensions

Dimensions



L1 = 6.56 ft [2 m]

L2 = 3.94" [100 mm] / 7.87" [200 mm]

Type	Probe length	Weight
01CT-5BL	4" [100 mm]	0.15 lb [0.070 kg]
01CT-5BP	8" [200 mm]	0.18 lb [0.080 kg]
01CT-5LL	4" [100 mm]	0.15 lb [0.070 kg]
01CT-5LP	8" [200 mm]	0.18 lb [0.080 kg]
01CT-5ML	4" [100 mm]	0.15 lb [0.070 kg]
01CT-5MP	8" [200 mm]	0.18 lb [0.080 kg]
01CT-5QL	4" [100 mm]	0.15 lb [0.070 kg]
01CT-5QP	8" [200 mm]	0.18 lb [0.080 kg]